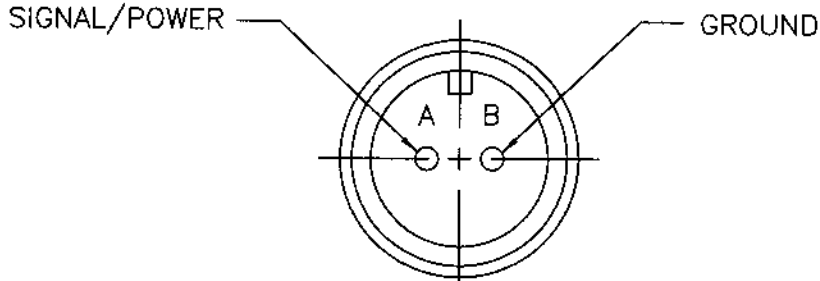


APPLICATION		
NEXT ASS'Y	USED ON	VAR

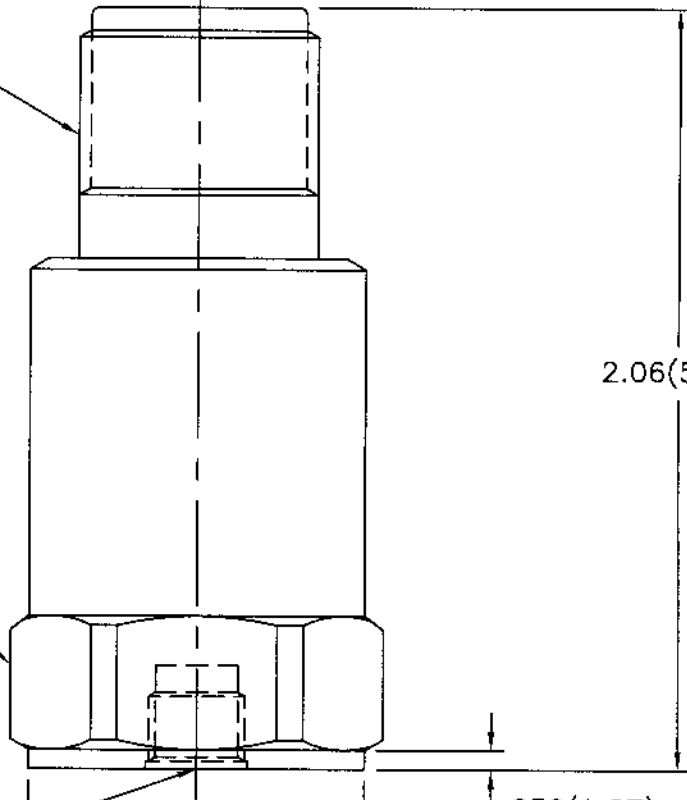
REVISIONS				
REV	DESCRIPTION	ECN	DATE	APP'D
A	UPDATE FOR UNIFORMITY	13113	2/21/01	cm 3/01

7781

TOP VIEW OF CONNECTOR



ELECTRICAL CONNECTOR  
5/8-24 UNEF-2A  
2-PIN (MIL-C-5015)



2.06(52.3)

7/8(22) HEX

0.050(1.27)

1/4-28 UNF-2B  
X .20(5.1) ▽

Ø.870(Ø22.1)  
TYP

UNLESS SPECIFIED TOLERANCES		DRAWN				MFG		PCB PIEZOTRONICS™	
DIMENSIONS IN INCHES	DIMENSIONS IN MILLIMETERS (IN PARENTHESIS)	CHK'D	DATE	ENGR	DATE	3425 WALDEN AVE. DEPEW, NY 14043		7781	
DECIMALS XX ±.01	DECIMALS XX ±0.3	APP'D	DATE	SALES	DATE	(716) 684-0001 EMAIL: SALES@PCB.COM		CODE IDENT. NO. 52681	
XXX ±.005	XXX ±0.13	TITLE				DWG. NO.		7781	
ANGLES ±2 DEGREES	ANGLES ±2 DEGREES	OUTLINE DRAWING MODEL 627A01, M ACCELEROMETER				SCALE: 2X		SHEET 1 OF 1	
FILLET AND RADII .003 - .005	FILLET AND RADII (0.07 - 0.13)	DD011 REV. B 03/13/98							

PCB Piezotronics Inc. claims proprietary rights in the information disclosed herein. Neither it nor any reproduction thereof will be disclosed to others without written consent of PCB Piezotronics Inc.